

Technical data sheet

Product features



Gas range with gas oven

Model	SAP Code	00014802
--------------	-----------------	----------



- Device type: Gas unit
- Power consumption of the zone 1 [kW]: 8,5
- Power consumption of the zone 2 [kW]: 8,5
- Power consumption of the zone 3 [kW]: 4
- Power consumption of the zone 4 [kW]: 8,5
- Power consumption of the zone 5 [kW]: 8,5
- Power consumption of the zone 6 [kW]: 4
- Ignition: Eternal flame
- Type of internal part of the appliance 1 (eg oven): Gas
- Type of internal part of the appliance 2 (eg oven): Static
- Material: AISI 304 top plate and cladding

SAP Code	00014802	Power consumption of the zone 1 [kW]	8,5
Net Width [mm]	1200	Power consumption of the zone 2 [kW]	8,5
Net Depth [mm]	730	Power consumption of the zone 3 [kW]	4
Net Height [mm]	900	Power consumption of the zone 4 [kW]	8,5
Net Weight [kg]	147.00	Power consumption of the zone 5 [kW]	8,5
Power gas [kW]	48.000	Power consumption of the zone 6 [kW]	4
Type of gas	Natural gas, propane butane	Type of internal part of the appliance 1 (eg oven)	Gas
Number of zones	6	Type of internal part of the appliance 2 (eg oven)	Static

Technical data sheet

Technical drawing

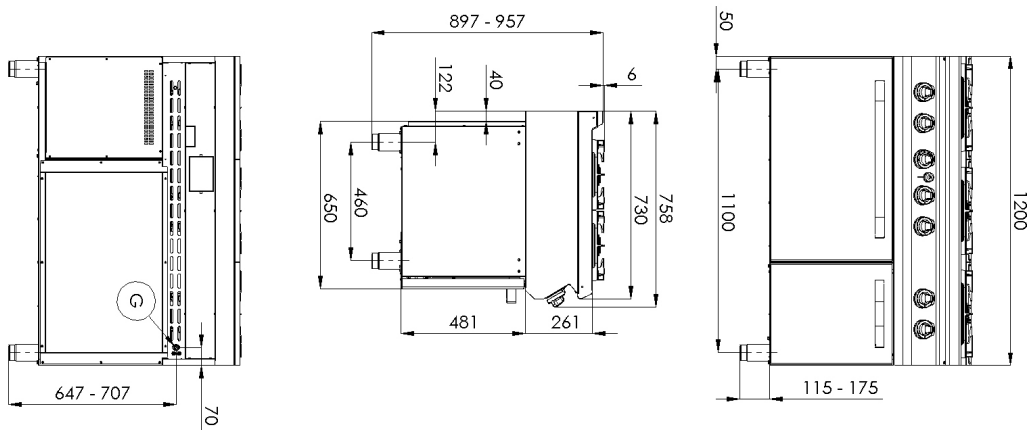


Gas range with gas oven

Model

SAP Code

00014802



Technical data sheet

Technical parameters



Gas range with gas oven

Model

SAP Code

00014802

1. SAP Code:

00014802

2. Net Width [mm]:

1200

3. Net Depth [mm]:

730

4. Net Height [mm]:

900

5. Net Weight [kg]:

147.00

6. Gross Width [mm]:

1260

7. Gross depth [mm]:

820

8. Gross Height [mm]:

1080

9. Gross Weight [kg]:

164.00

10. Device type:

Gas unit

11. Construction type of device:

Stationary

12. Power gas [kW]:

48.000

13. Ignition:

Eternal flame

14. Type of gas:

Natural gas, propane butane

15. Exterior color of the device:

Stainless steel

16. Material:

AISI 304 top plate and cladding

17. Worktop type:

Molded - comfortable cleaning maintenance

18. Worktop material:

AISI 304

19. Worktop Thickness [mm]:

1.50

20. Number of zones:

6

21. Power consumption of the zone 1 [kW]:

8,5

22. Power consumption of the zone 2 [kW]:

8,5

23. Power consumption of the zone 3 [kW]:

4

24. Power consumption of the zone 4 [kW]:

8,5

25. Power consumption of the zone 5 [kW]:

8,5

26. Power consumption of the zone 6 [kW]:

4

27. Grid material:

Cast iron

28. Service accessibility:

Trough the frontal panel

Technical data sheet

Technical parameters



Gas range with gas oven

Model

SAP Code

00014802

29. Safety thermocouple:

Yes

35. Oven power gas [kW]:

6.00

30. Adjustable feet:

Yes

36. Oven size:

GN 2/1

31. Number of burners/hot plates:

6

37. Type of internal part of the appliance 1 (eg oven):

Gas

32. Type of gas cooking zones:

Powerfull

38. Type of internal part of the appliance 2 (eg oven):

Static

33. Burner type:

Brass, detachable

39. Gasket:

Yes

34. Oven Type:

gas static